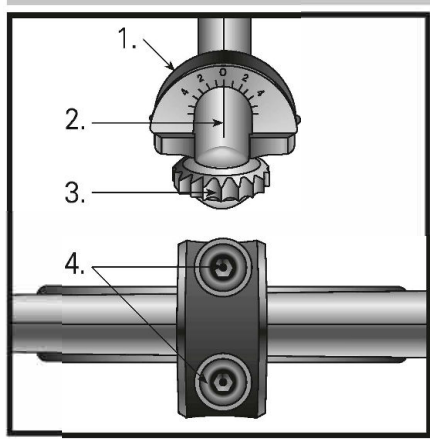
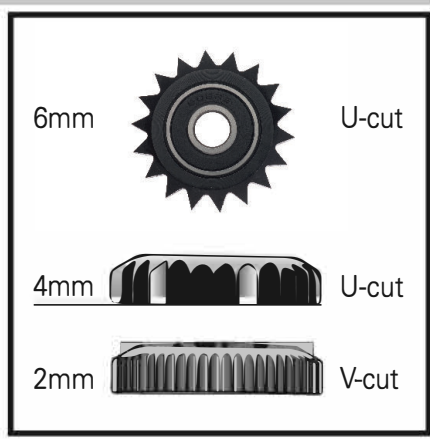


The Robert Sorby Spiralling tool is the most unique woodturning tool on the market today. With its various cutters, any turned project can be transformed into an eye catching piece. Whether it is on spindle or bowl work, the Robert Sorby Spiralling tool is an asset to any woodturner. To create a more defined spiral it is recommended you use a close grain wood.

**SPIRALLING TOOL**

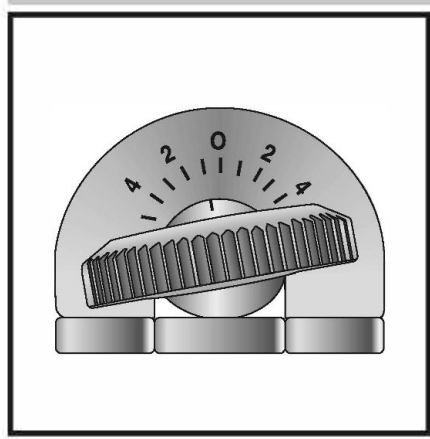


1. Graduated tool rest
2. Guideline
3. Spiral cutter
4. Locking screws



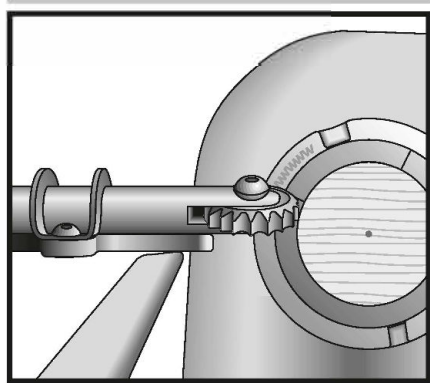
2. There are three Spiral cutters included in the System 2mm, 4mm and 6mm. The fourth cutter is exclusively for texturing.

**TOOL SET-UP**

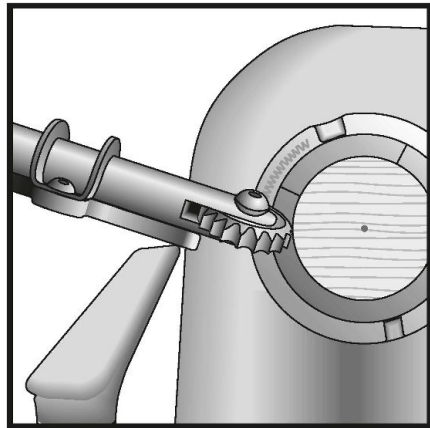


3. To begin, undo the locking screws and turn shaft so that guideline is on No.1 and re-tighten screws.

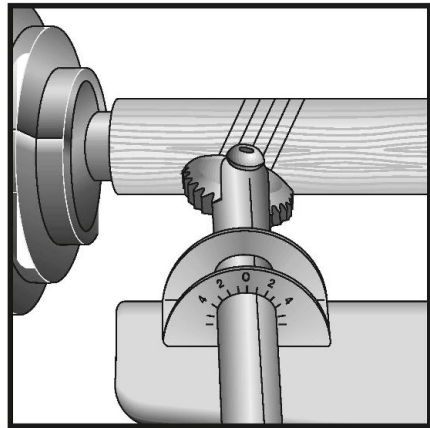
**LATHE SET-UP**



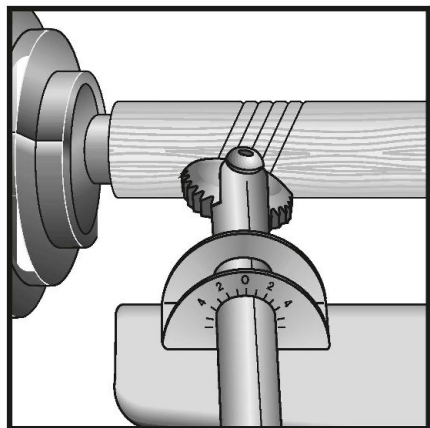
4. Place lathe rest at a height so the top of the base plate is on centre height while the tool is horizontal.



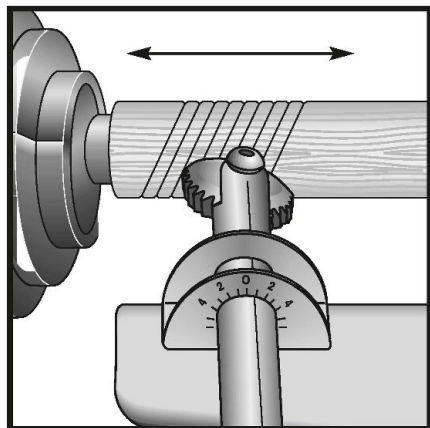
5. Set the lathe speed to around 500 RPM. Raise the handle, allowing the cutter to spin against wood, cutting on centre.



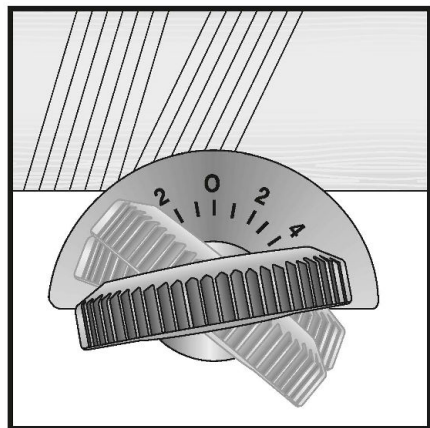
6. Switch the lathe off to check a clean cut has been produced.



7. Switch the lathe on and with the tool horizontal, present the cutter to the wood. Gently lift the handle to allow the cutter to engage into initial grooves.

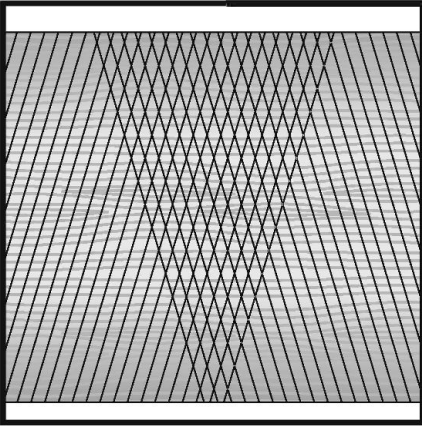


8. Pass the tool along the wood, to the length of spiral required, cutting deeper on each pass until the required depth is achieved.

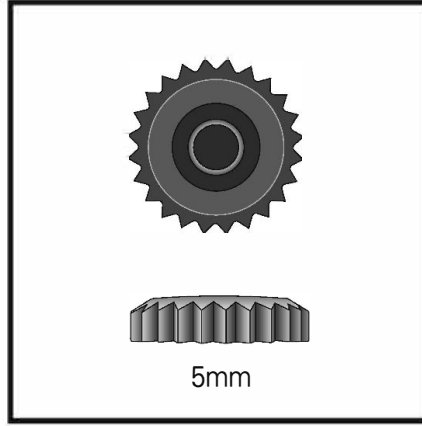


9. Changing the position on the graduated tool rest will give a different pitch of spiral.

## SPIRALLING TOOL continued

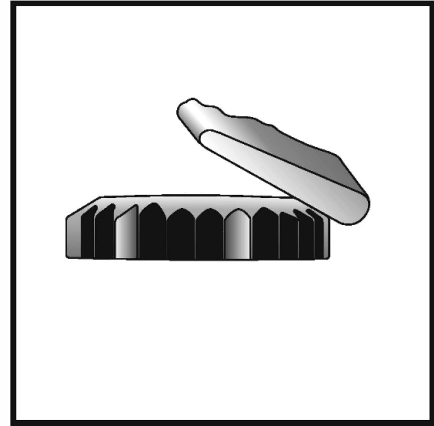


10. With the 2mm cutter a cross hatch effect can be achieved by crossing a left hand spiral over a right spiral.



11. An additional 5mm V cut cutter is available.

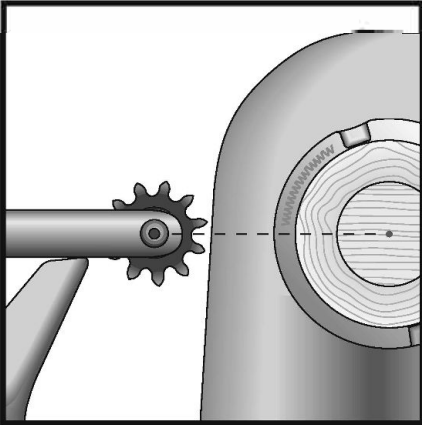
## SHARPENING



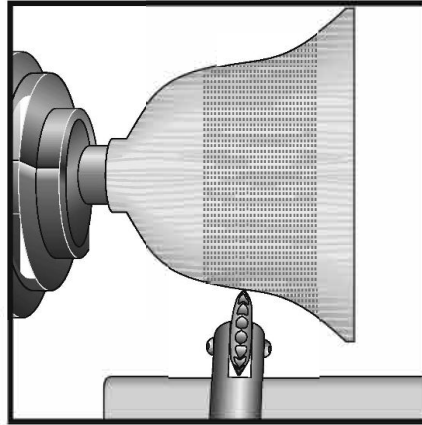
12. Sharpen across the bevelled face with a flat diamond or oil stone.

The Robert Sorby Texturing tool will enhance any turned bowl or box with an array of different textures and patterns.

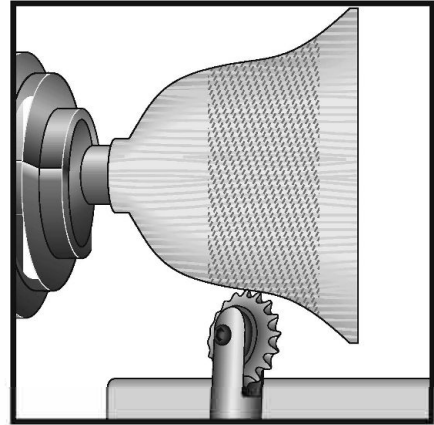
## TEXTURING TOOL



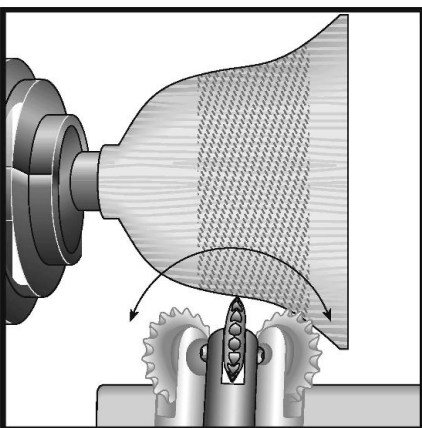
1. Place the tool rest so the cutter is on centre height.



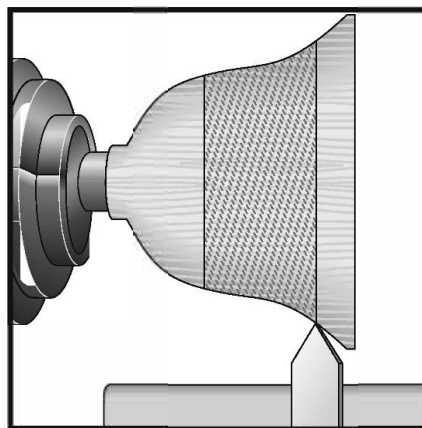
2. Holding the tool vertical passing cutter across face of wood will give pattern of very small dots similar to the skin of an orange.



3. Holding the tool at an angle will create small diagonal lines.

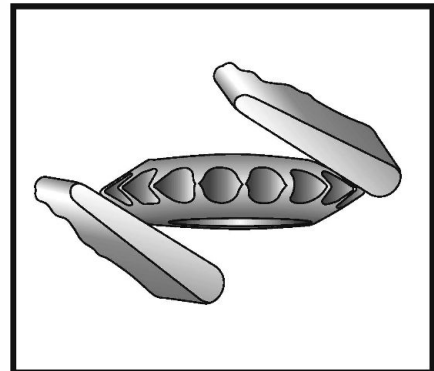


4. The tool can be angled in any direction.



5. Use a fine point tool to define the edge of the texture to create a band of pattern.

## SHARPENING



6. Sharpen across the bevelled face with a flat diamond or oil stone.

*Robert Sorby*

Athol Road, Sheffield, England S8 0PA. Tel: +44 (0)114 225 0700 Fax: +44 (0)114 225 0710  
 sales@robert-sorby.co.uk www.robert-sorby.co.uk

Registered in England: Company No 3464018, Registered office: Atlas Way, Atlas North, Sheffield, S4 7QQ. VAT No GB 172 4019 84